

HF3F-L

SUBMINIATURE HIGH POWER LATCHING RELAY



File No.: E134517



File No.:40040757



File No.:CQC15002121475



Features

- Subminiature high power latching relay
- Low coil power
1 coil latching: approx. 0.4W
2 coils latching: approx. 0.8W
- 15A switching capability
- 1 Form A and 1 Form C configurations
- Subminiature, standard PCB layout
- Plastic sealed and flux proofed types available

RoHS compliant

CONTACT DATA

Contact arrangement	1A	1C
Contact resistance ¹⁾	100mΩ max.(at 1A 6VDC)	
Contact material	AgSnO ₂	
Contact rating (Res. load)	10A 277VAC/30VDC	
Max. switching voltage	277VAC / 30VDC	
Max. switching current	15A	10A
Max. switching power	2770VA / 300W	
Mechanical endurance	1 x 10 ⁷ OPS	
Electrical endurance	1HT: 6 x 10 ³ OPS (15A 120VAC, Incandescent lamp, at 60°C, 1s on 59s off) 1 x 10 ⁴ OPS (10A 277VAC, Resistive load, at 60°C, 1s on 9s off) 2 x 10 ⁴ OPS (12A 277VAC, General use, at 70°C, 1s on 9s off)	

Notes:1) The data shown above are initial values.

CHARACTERISTICS

Insulation resistance	100MΩ (at 500VDC)	
Dielectric strength	Between coil & contacts	2000VAC 1min
	Between open contacts	750VAC 1min
Set time (at nomi. volt.)	8ms max.	
Reset time (at nomi. volt.)	5ms max.	
Shock resistance	Functional	98m/s ²
	Destructive	980m/s ²
Vibration resistance	10Hz to 55Hz 1.5mm DA	
Humidity	5% to 85% RH	
Ambient temperature	-40°C to 85°C	
Termination	PCB	
Unit weight	Approx. 9g	
Construction	Plastic sealed, Flux proofed	

Notes: 1) For sealed type, the vent-hole cover should be excised.
2) The data shown above are initial values.

COIL

Coil power	1 coil latching: Approx. 0.4W 2 coils latching: Approx. 0.8W
------------	---

COIL DATA

at 23°C

1 coil latching

Nominal Voltage VDC	Set Voltage VDC max. 1)	Reset Voltage VDC max. 1)	Pulse Width (ms) min.	Max. Voltage VDC	Coil Resistance Ω
3	2.4	2.4	100	4.5	22.5 x (1±10%)
5	4.0	4.0	100	7.5	62.5 x (1±10%)
6	4.8	4.8	100	9	90 x (1±10%)
9	7.2	7.2	100	13.5	202.5 x (1±10%)
12	9.6	9.6	100	18	360 x (1±10%)
24	19.2	19.2	100	36	1440 x (1±10%)
48	38.4	38.4	100	72	5760 x (1±10%)

2 coils latching

Nominal Voltage VDC	Set Voltage VDC max. 1)	Reset Voltage VDC max. 1)	Pulse Width (ms) min.	Max. Voltage VDC	Coil Resistance Ω
3	2.4	2.4	100	4.5	11.25 x (1±10%)
5	4.0	4.0	100	7.5	31.5+31.5 x (1±10%)
6	4.8	4.8	100	9	45+45 x (1±10%)
9	7.2	7.2	100	13.5	101.5+101.5 x (1±10%)
12	9.6	9.6	100	18	180+180 x (1±10%)
24	19.2	19.2	100	36	720+720 x (1±10%)
48	38.4	38.4	100	72	2880+2880 x (1±10%)

Notes:1) The data shown above are initial values.

2) *Maximum voltage refers to the maximum voltage which relay coil could endure in a short period of time.

SAFETY APPROVAL RATINGS

UL/CUL	NO:10A 277/250/125VAC, Resistive at 60°C NO:12A 277/250/125VAC, General use at 70°C NO:Standard ballast 5.5A 277/220/120VAC at 60°C NO: Electronic ballast 5A, 120VAC at 60°C NO: Electronic ballast 5A, 277VAC at 70°C* NO:Tungsten (incandescent) 15A 120VAC at 60°C NO:Tungsten (incandescent) 5A 277VAC at 60°C NO: 1/6HP 240/120VAC at 85°C NO: TV-10 125VAC at 70°C
VDE	NO: 10A 250VAC, Resistive, at 85°C NO/NC: 5A 250VAC, Resistive, at 85°C

Notes: 1) All values unspecified are at room temperature.

2) Only typical loads are listed above. Other load specifications can be available upon request.

3) * These ratings are tested with zero crossing device.



HONGFA RELAY

ISO9001, IATF16949, ISO14001, OHSAS18001, IECQ QC 080000 CERTIFIED

2021 Rev. 1.01

ORDERING INFORMATION

Type		HF3F-L / 12 -1H S L1 T R (XXX)	
Coil voltage	3, 5, 6, 9, 12, 24, 48VDC		
Contact arrangement	1H:1 Form A	1Z:1 Form C	
Construction ^{1) 2)}	S: Plastic sealed	Nil: Flux proofed	
Sort	L1: 1 coil latching	L2: 2 coils latching	
Contact material	T: AgSnO ₂		
Polarity	R: Reverse polarity	Nil: Standard polarity	
Special code ³⁾	XXX: Customer special requirement	Nil: Standard	

Notes: 1) We recommend flux proofed types for a clean environment (free from contaminations like H₂S, SO₂, NO₂, dust, etc.) .

We suggest to choose plastic sealed types and validate it in real application for an unclean environment (with contaminations like H₂S, SO₂, NO₂, dust, etc.)

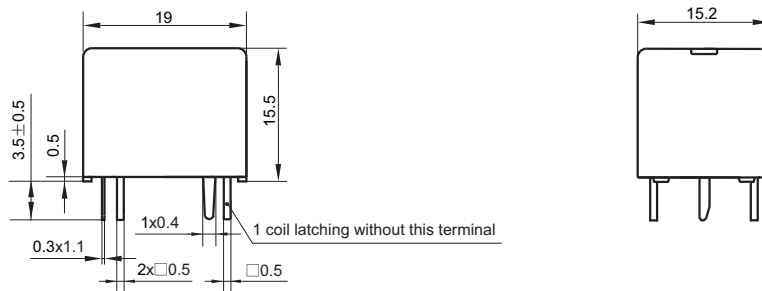
2) Contact is recommended for suitable condition and specifications if water cleaning or surface process is involved in assembling relays on PCB.

3) The customer special requirement express as special code after evaluating by Hongfa.

OUTLINE DIMENSIONS, WIRING DIAGRAM AND PC BOARD LAYOUT

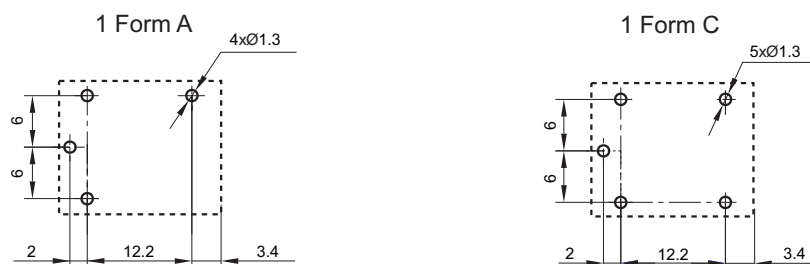
Unit: mm

Outline Dimensions



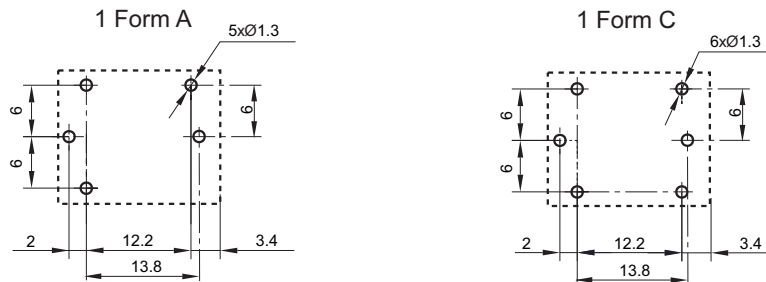
PCB Layout (Bottom view)

1 coil latching



PCB Layout (Bottom view)

2 coils latching



Remark: 1) In case of no tolerance shown in outline dimension: outline dimension $\leq 1\text{mm}$, tolerance should be $\pm 0.2\text{mm}$; outline dimension $> 1\text{mm}$ and $\leq 5\text{mm}$, tolerance should be $\pm 0.3\text{mm}$; outline dimension $> 5\text{mm}$, tolerance should be $\pm 0.4\text{mm}$.
 2) The tolerance without indicating for PCB layout is always $\pm 0.1\text{mm}$.

Wiring Diagram (Bottom view)

1 coil latching

Standard Polarity

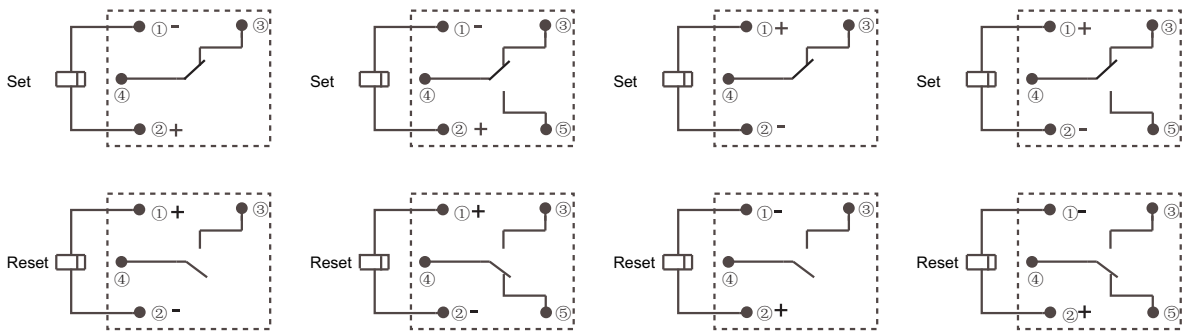
Reverse Polarity

1 Form A

1 Form C

1 Form A

1 Form C



2 coils latching

Standard Polarity

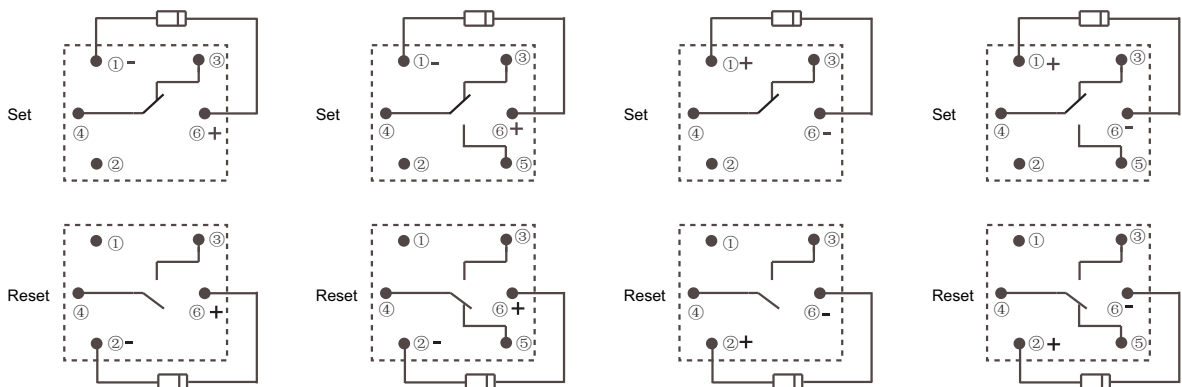
Reverse Polarity

1 Form A

1 Form C

1 Form A

1 Form C



Notice

1. Relay is on the "reset" or "set" status when being released from stock, with the consideration of shock risen from transit and relay mounting, relay would be changed to "set" or "reset" status, therefore, when application (connecting the power supply), please reset the relay to "set" or "reset" status on request.
2. In order to maintain "set" or "reset" status, energized voltage to coil should reach the rated voltage, impulse width should be more than 100 ms. Do not energize voltage to "set" coil and "reset" coil simultaneously. And also long energized time (more than 1 min) should be avoided.
3. Keep the product away from strong magnetic field during transportation, storage and application, to avoid change of set/reset voltage.

Disclaimer

The specification is for reference only. See to "Terminology and Guidelines" for more information. Specifications subject to change without notice. We could not evaluate all the performance and all the parameters for every possible application. Thus the user should be in a right position to choose the suitable product for their own application. If there is any query, please contact Hongfa for the technical service. However, it is the user's responsibility to determine which product should be used only.

© Xiamen Hongfa Electroacoustic Co., Ltd. All rights of Hongfa are reserved.